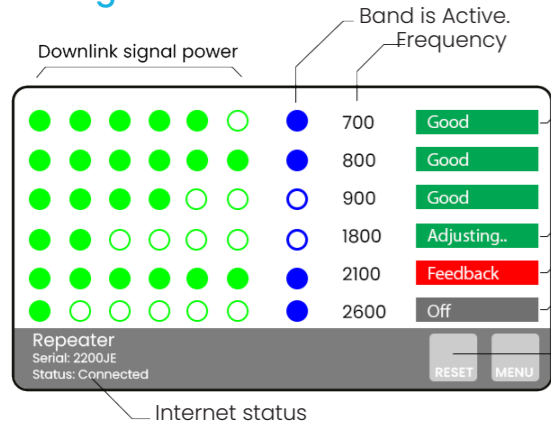


# 4 Touch LCD Panel

The LCD allows users to easily read the RouterAmp diagnostics, turn on/off any band, enable ByPass mode, and easily allows for general configuration.

## Main Page



- No issues.
- Band is self optimizing.
- Indoor and outdoor antennas are too close to each other. Separate them more.
- Band is manually disabled.
- Long press to reboot:** This is similar to plugging out and in mains power.

## dB Page

Uplink (UL) power received by the amplifier. (Power emitted by the router)  
 DL power from the operator, received by the amplifier.  
 UL Automatic Gain Control (AGC) - starts when UL power limit is reached  
 AGC for UL and DL when the operator's signal is strong.

Blue box - band is active  
 Yellow box - strong uplink from phone.

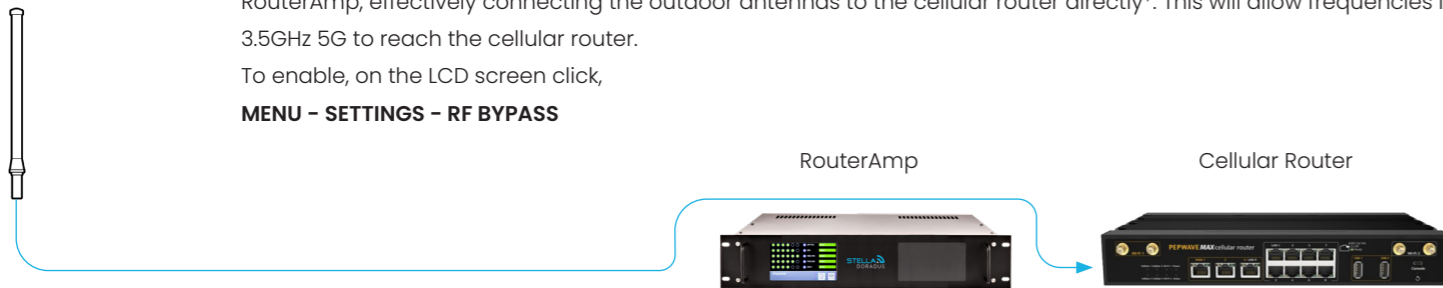
Frequency (MHz)	700	800	900	1800	2100	2600
UL Power (dBm)	2	2	2	2	2	2
DL Power (dBm)	4	4	4	4	4	4
UL Fast AGC (dB)	0	0	0	0	0	0
AGC (dB)	0	0	0	0	0	0

## ByPass Mode

In port where the mobile signal is typically very powerful, ByPass Mode can be enabled. This mode will bypass the RouterAmp, effectively connecting the outdoor antennas to the cellular router directly\*. This will allow frequencies like 3.5GHz 5G to reach the cellular router.

To enable, on the LCD screen click,

**MENU - SETTINGS - RF BYPASS**



\*ByPass mode introduces 7dB loss to the channel. In practice this loss is easily overcome by the strong signal in port.

## Other LCD features

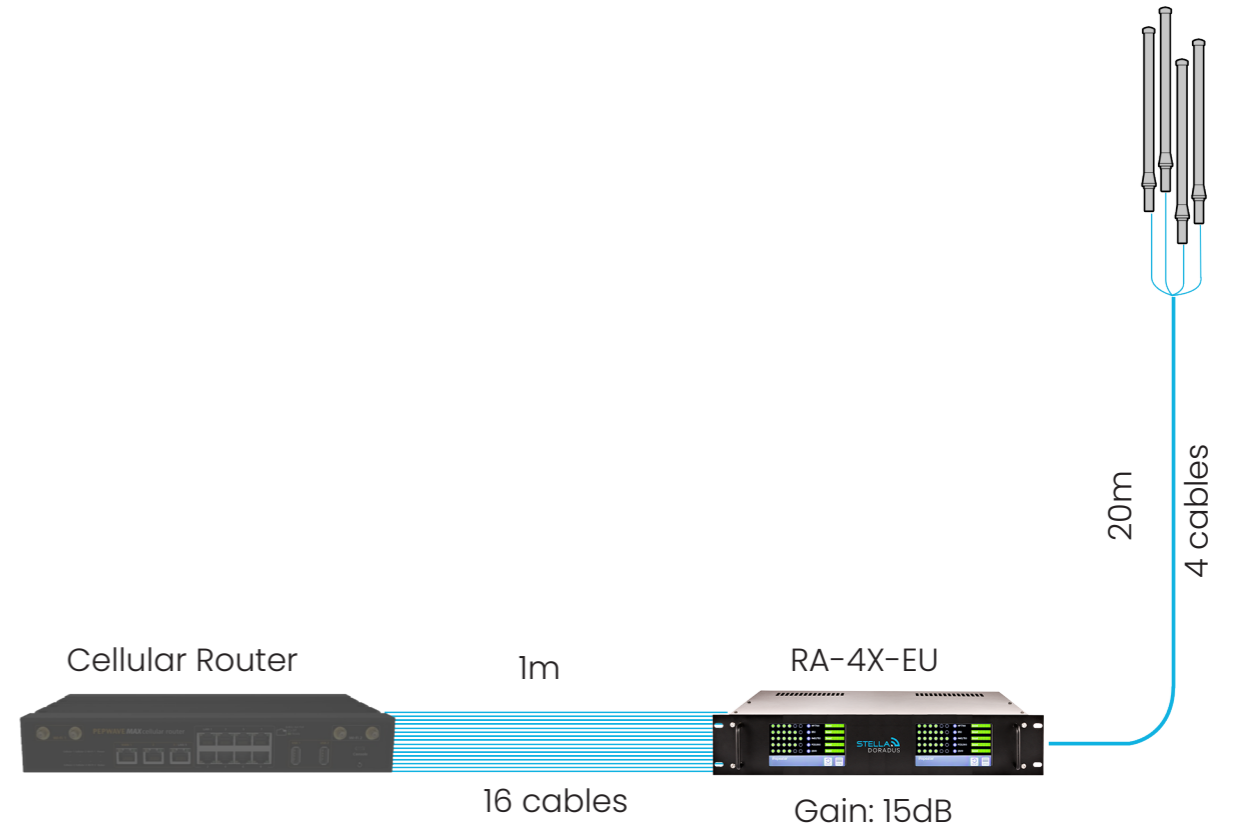
**PIN Access** A secret PIN can lock out access to the LCD display. The PIN is set on the clients account on stellacontrol. Default PIN 888888

# 1 Installation and user Manual



VISIT INSTALLER ZONE FOR MORE RESOURCES

The RouterAmp is installed down inside the ship or vehicle next to the cellular router. There are several configurations for this product.



This manual is for the following models

Models (SKU)	MIMO	Region	Rack	Mounting	Bands	Weight
RA-2X-EU-W/R	2X	EU	1U/2U	Wall/Rack	B28/B20/B8/B3/B1/B7	2.5kg
RA-4X-EU-W/R	4X	EU	2U	Wall/Rack	B28/B20/B8/B3/B1/B7	5kg
RA-2X-US-W/R	2X	US	1U	Wall/Rack	B28/B5/B4/B25/B7	2.5kg



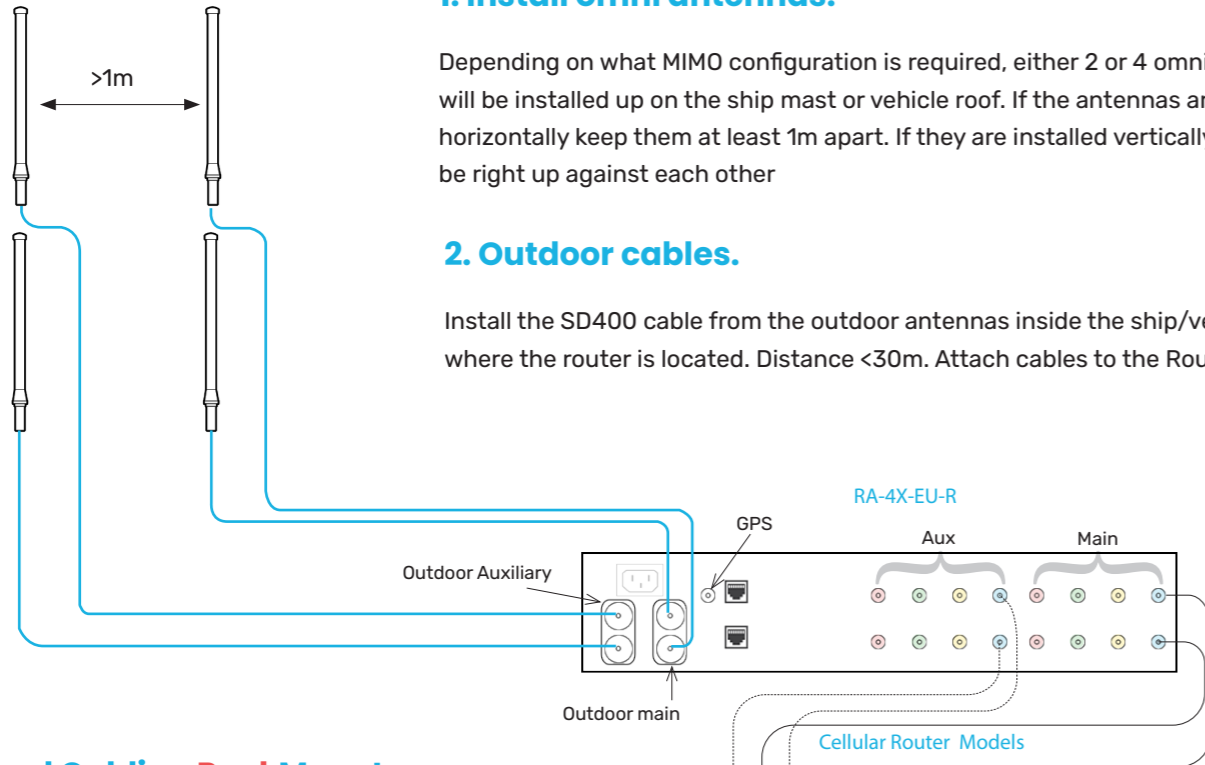
# 2 Step-by-step Installation Instructions

## 1. Install omni antennas.

Depending on what MIMO configuration is required, either 2 or 4 omni antennas will be installed up on the ship mast or vehicle roof. If the antennas are installed horizontally keep them at least 1m apart. If they are installed vertically, they can be right up against each other

## 2. Outdoor cables.

Install the SD400 cable from the outdoor antennas inside the ship/vehicle to where the router is located. Distance <30m. Attach cables to the RouterAmp.



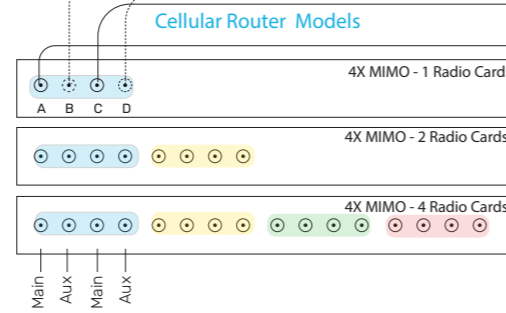
### 3.1 Internal Cabling RackMount

This applies to the RA-4X-EU-R (rackmount).

Connect SD240 pigtails as shown to the right

- 4 cables per Radio for full 4X DL MIMO.
- 2 cables per Radio for 2X DL MIMO.

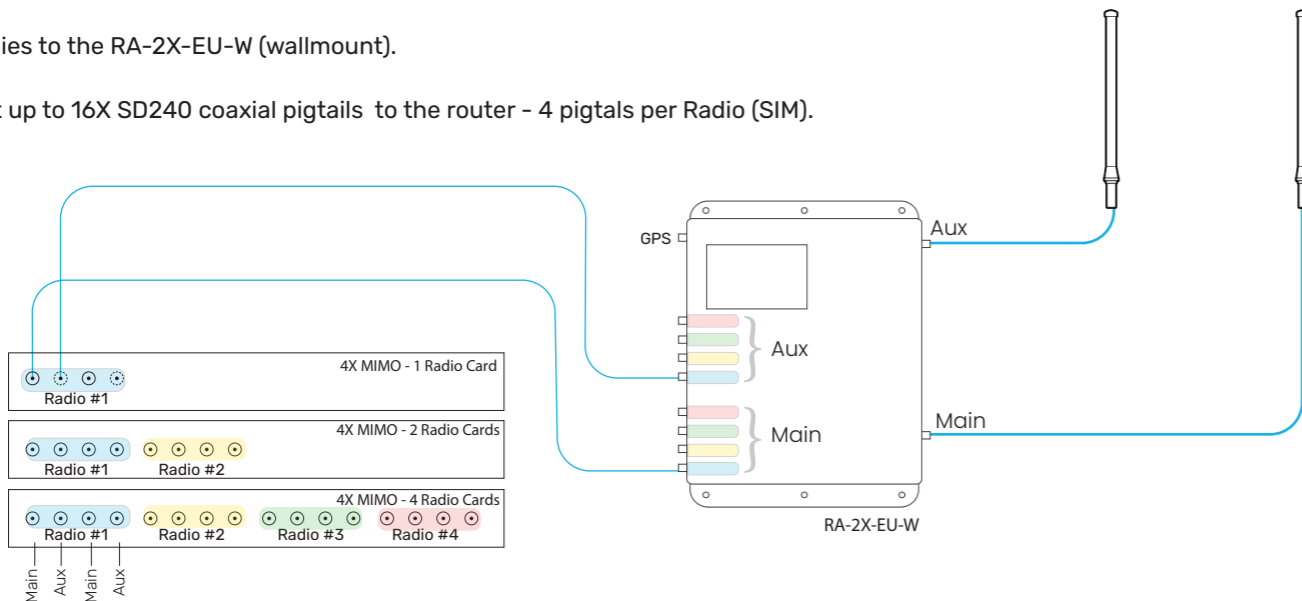
- A, C = MAIN UL+DL  
B, D = AUX UL ONLY
- Radio #1
  - Radio #2
  - Radio #3
  - Radio #4



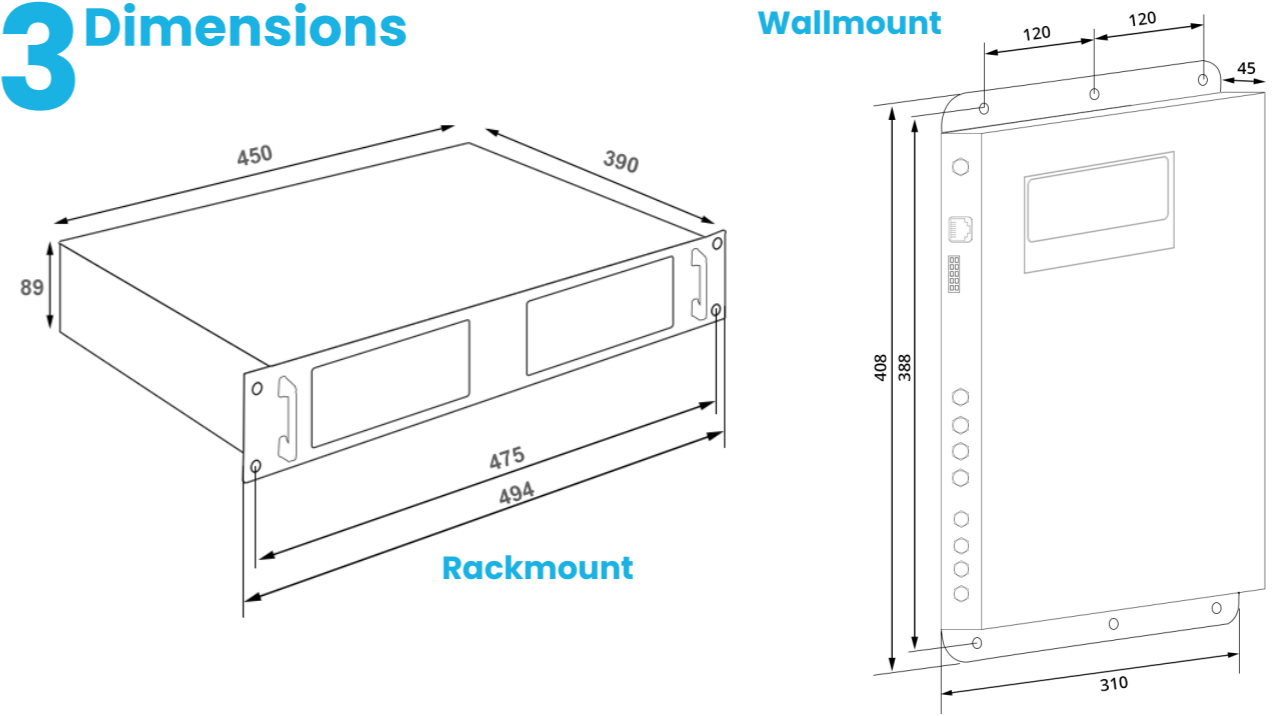
### 3.2 Internal Cabling WallMount

This applies to the RA-2X-EU-W (wallmount).

Connect up to 16X SD240 coaxial pigtails to the router - 4 pigtails per Radio (SIM).



# 3 Dimensions



## Cable Assembly

Self assembly of cables. Pay careful attention to the N-connectors.

Braid must overlap with the collar of the connector. This is what holds the connector in place.

The silver braid must be long. Braiding must not touch centre pin. Check Carefully.

Centre pin must be level with the steel collar. Not pushed inside.



### GPS

The RouterAmp has a GPS module. Connecting a GPS antenna to this port activates this module. This allows for GPS tracking and modifying the settings on the RA depending on GEO coordinates.

## StellaControl - Remote monitoring

Connect the RouterAmp to a live ethernet connection. Log onto your stellacontrol account. Manage, monitor and control all your iRepeaters from the cloud.

With ProMonitoring, allow Stella to manage/monitor the RouterAmp and also benefit from 5 year warranty. 2+ years on top of our standard 3 year warranty.



TO LEARN MORE ABOUT REMOTE MONITORING USE THE QR CODE